

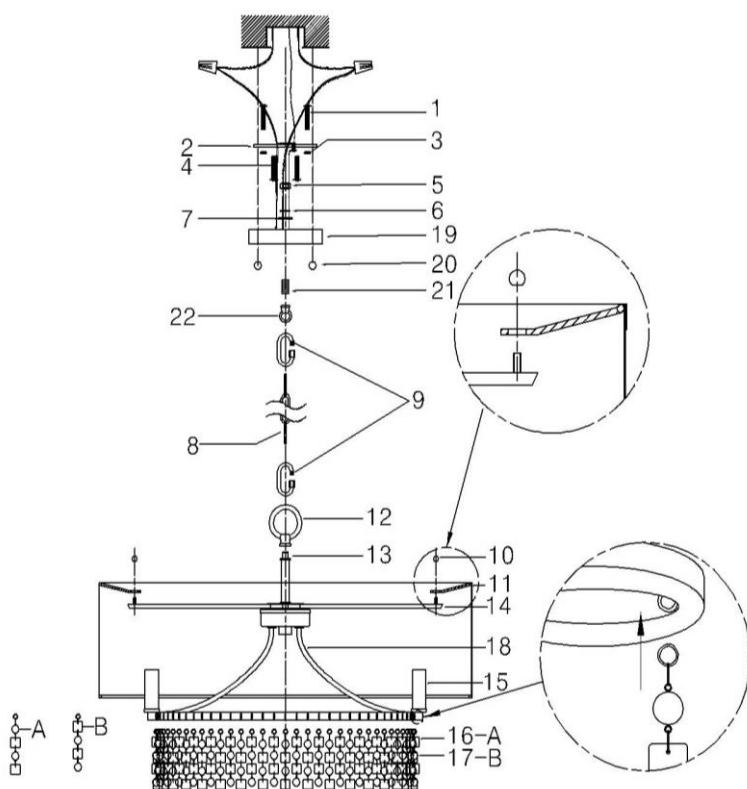


LIGHTING FIXTURE COMPANY

ASSEMBLY AND INSTALLATION INSTRUCTIONS for the **4216** Fixture

Important Safety information (Please read before proceeding)

1. Remove the fixture, parts and all mounting hardware bags (orange) from the carton and verify that all parts are present according to the illustration sheet. All parts must be used as indicated. Do not replace any parts, leave any parts out, or use any parts which are worn out or broken. **Failure to follow the instructions could cause a hazardous situation, voids the warranty and violates the U.L. listing of the fixture.**
2. To prevent the electric shock, turn off the main power at the circuit breaker before installing the fixture. **NEVER attempt to install, clean or replace bulbs without shutting off the electricity to the fixture.**
3. **Never use light bulbs with wattage ratings that exceed the fixtures maximum rating.** Always make sure the electric current is turned off before changing the bulbs.
4. If you experience difficulties installing the lighting fixture or it fails to work as expected, please contact a local qualified licensed electrical contractor.
5. Please contact your local Capital Lighting Fixture reseller with any assembly or installation questions. Your local reseller can also provide you with replacement parts for your new fixture.



Components

01. Mounting Screws
02. Mounting Bar
03. Hex Nut (8/32IP)
04. Outlet Box Mounting Screws
05. Hex Nut (1/8IP)
06. Lock Washer
07. Flat Washer
08. Chain
09. Chain Link
10. Ball Knob
11. Fabric Shade
12. Loop
13. Nipple
14. Spider
15. Candle Sleeve
16. Crystal Drop-A
17. Crystal Drop-B
18. Fixture
19. Canopy
20. Ball Knob
21. Nipple (1/8IP)
22. Small Loop (1/8IP)

Assembly Instructions for Hanging the 4216 Fixture with a Chain:

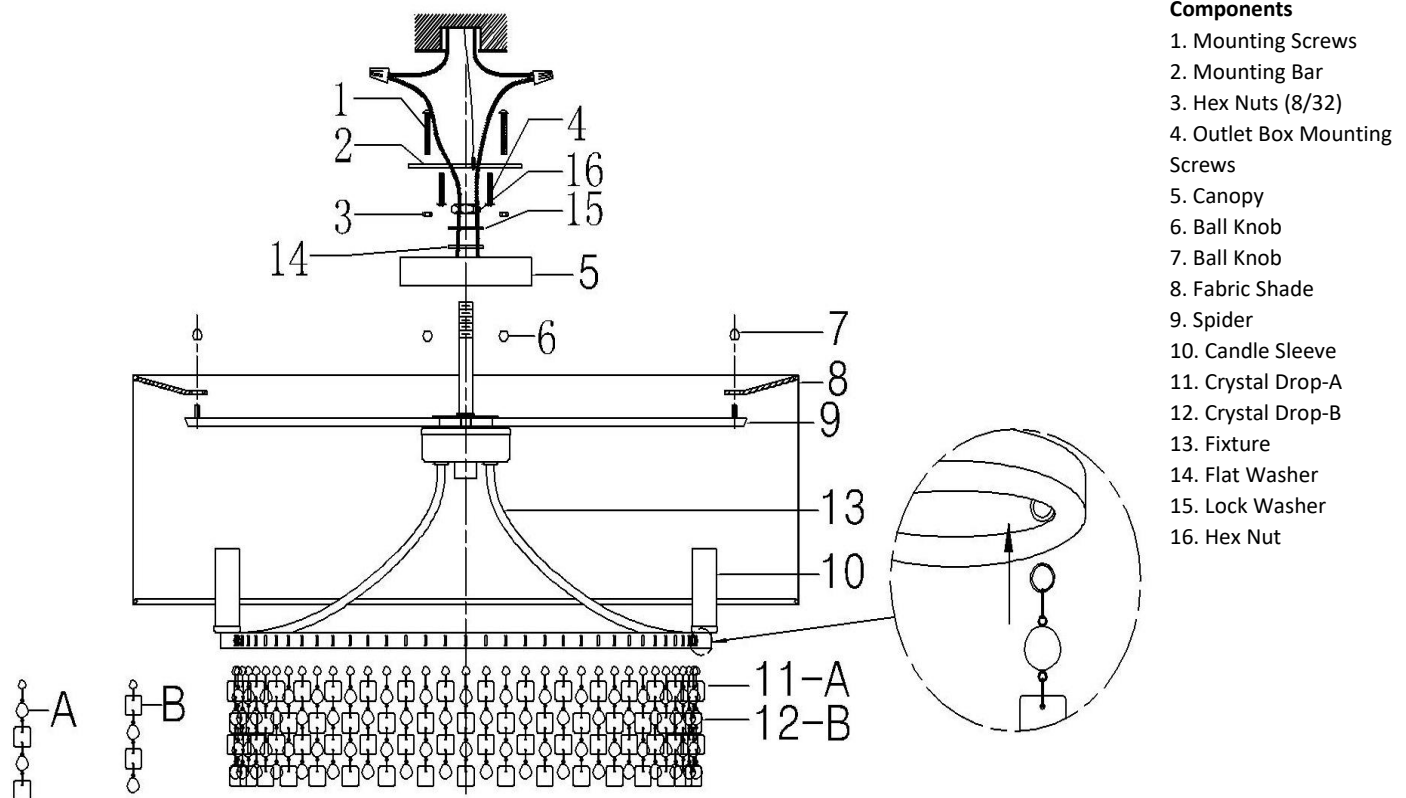
1. Pass lead wire from the top of Fixture (18) thru Loop (12), then secure it by screwing Loop (12) onto Nipple end of Fixture (13) properly;
2. Put Fabric Shade (11) over Fixture (18) top, and secure it by screwing Ball Knobs (10) onto Spider (14).
3. Pass lead wire through one Chain Link (09), Chain (08), another Chain Link (09), Loop (22), Nipple (21) and Canopy (19), then slip Flat Washer (07), Lock Washer (06), thread Hex Nut (05) onto Nipple (21). Finally, tighten Hex Nut (05) to secure Loop (22) to Canopy (19) together.
4. Find appropriate threaded holes on Mounting Bar (02), and assemble Mounting Screws (01) into threaded holes with Hex Nuts (03).
5. Attach Mounting Bar (02) to Outlet Box with Outlet Box Mounting Screws (04).
6. Connect fixture ground wire to the outlet box ground wire with wire connector supplied; connect the common wire of the lamp cord to the power supply white wire with wire connector supplied; connect supply wire of the lamp cord to the power supply black wire with wire connector supplied. *Note: This fixture is wired using 2 conductor Lamp cord. The insulation between the two conductors on the lamp cord can be split down the center for better access to the two conductors. The common wire on the lamp cord is identified as the conductor with ribs embossed in the rubber wire insulation.*
7. Push fixture to ceiling, carefully passing Mounting Screws (01) through holes in Canopy (19), then verify all wires are securely inside Canopy (19). Finally, secure fixture to ceiling with Ball Knobs (20).
8. Hang Crystal Drop-A to B (16 to 17) onto proper position of fixture trim according to the illustration shown.



ASSEMBLY AND INSTALLATION INSTRUCTIONS for the **4216** Fixture

Important Safety information (Please read before proceeding)

1. Remove the fixture, parts and all mounting hardware bags (orange) from the carton and verify that all parts are present according to the illustration sheet. All parts must be used as indicated. Do not replace any parts, leave any parts out, or use any parts which are worn out or broken. **Failure to follow the instructions could cause a hazardous situation, voids the warranty and violates the U.L. listing of the fixture.**
2. To prevent the electric shock, turn off the main power at the circuit breaker before installing the fixture. **NEVER attempt to install, clean or replace bulbs without shutting off the electricity to the fixture.**
3. **Never use light bulbs with wattage ratings that exceed the fixtures maximum rating.** Always make sure the electric current is turned off before changing the bulbs.
4. If you experience difficulties installing the lighting fixture or it fails to work as expected, please contact a local qualified licensed electrical contractor.
5. Please contact your local Capital Lighting Fixture reseller with any assembly or installation questions. Your local reseller can also provide you with replacement parts for your new fixture.



Components

1. Mounting Screws
2. Mounting Bar
3. Hex Nuts (8/32)
4. Outlet Box Mounting Screws
5. Canopy
6. Ball Knob
7. Ball Knob
8. Fabric Shade
9. Spider
10. Candle Sleeve
11. Crystal Drop-A
12. Crystal Drop-B
13. Fixture
14. Flat Washer
15. Lock Washer
16. Hex Nut

Assembly Instructions to Flush Mount the 4216 fixture:

1. Pass lead wire from the top of Fixture (13) thru Canopy (5), Flat Washer (14), Lock Washer (15), and Hex Nut (1/8IP) (16), then secure Canopy (5), Flat Washer (14) and Lock Washer (15) by screwing Hex Nut (1/8IP) (16) onto Nipple end of Fixture (13) properly;
2. Put Fabric Shade (8) over Fixture (13) top, and secure it by screwing Ball Knobs (7) onto Spider (9).
3. Find appropriate threaded holes on Mounting Bar (2), and assemble Mounting Screws (1) into threaded holes with Hex Nuts (3).
4. Attach Mounting Bar (2) to Outlet Box with Outlet Box Mounting Screws (4).
5. Connect fixture ground wire to the outlet box ground wire with wire connector supplied; connect the common wire of the lamp cord to the power supply white wire with wire connector supplied; connect supply wire of the lamp cord to the power supply black wire with wire connector supplied.
Note: This fixture is wired using 2 conductor Lamp cord. The insulation between the two conductors on the lamp cord can be split down the center for better access to the two conductors. The common wire on the lamp cord is identified as the conductor with ribs embossed in the rubber wire insulation.
6. Push fixture to ceiling, carefully passing Mounting Screws (1) through holes in Canopy (5), then verify all wires are securely inside Canopy (5). Finally, secure fixture to ceiling with Ball Knobs (6).
7. Hang Crystal Drop-A to B (11 to 12) onto proper position of fixture trim according to the illustration shown.